

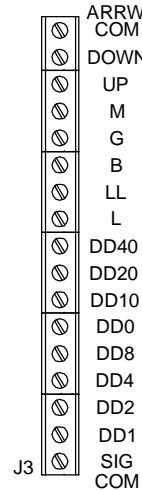
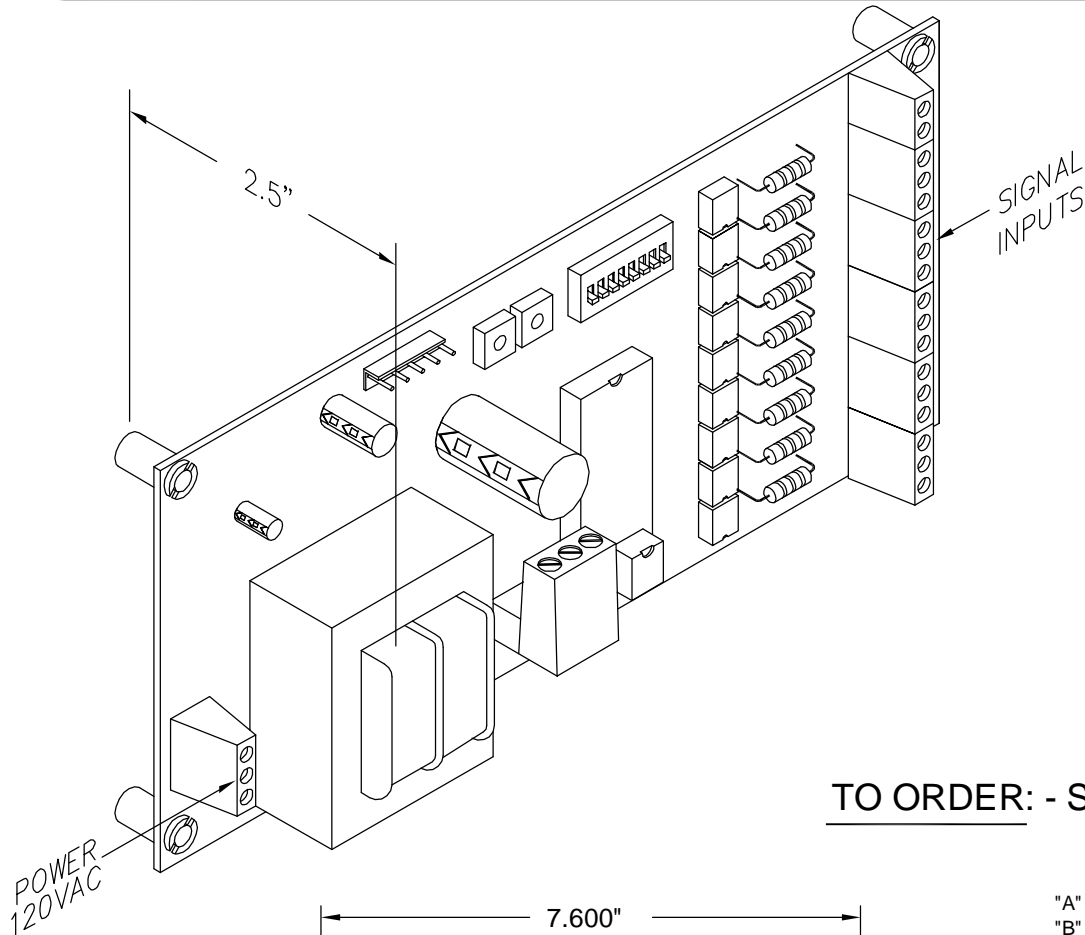


C.E. Electronics, Inc.
 2107 Industrial Drive
 Bryan, OH 43506
 PH (419) 636-6705 FX (419) 636-2516
 www.ceelectronics.com

SDCDU-XXXX

Ver. 1 Rel. 06/18/02

MICRO COMM[®]
 DRIVERS



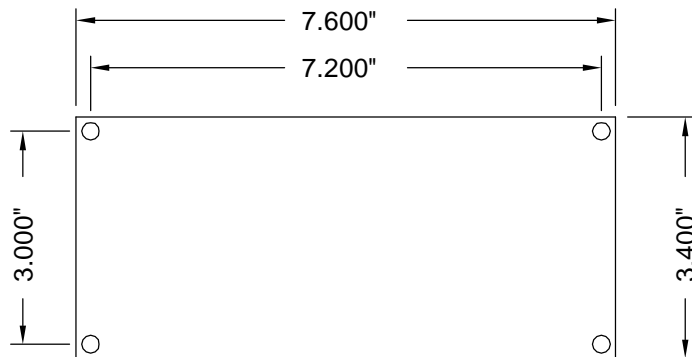
CONTROL DRIVER BOARD

This unit was designed to be interfaced to Dover type controllers. The board is capable of driving 2 to 4 displays remote from itself. Any Micro Comm series display can be utilized with this unit.

Features:

- Latched inputs
- Cross wire protected
- Self testing
- Alternate message
- Passing chime output
- Micro Comm output
- Self-contained
- Error detection and correction feature

TO ORDER: - SPECIFY SDCDU - X X X X



SIGNAL VOLTAGE:

- "A" = POSITIVE 6-20VAC/DC, 24 VAC
- "B" = POSITIVE 24-48VDC, 48VAC
- "C" = POSITIVE 120VAC
- "D" = POSITIVE 125VDC
- "E" = NEGATIVE 6-20VDC
- "F" = NEGATIVE 24-48VDC
- "G" = NEGATIVE 125VDC

SIGNAL FORMAT:

- "1" = SINGLE LINE/FLOOR *
- "2" = BINARY
- "3" = UNITS & TENS *
- "4" = GRAY CODE
- "5" = INVERTED BINARY
- "6" = SPECIAL

BUILD:

- "B" = with BOX & COVER
- "X" = no BOX or COVER

DRIVE CAPABILITY:

- "0" = DRIVES UP TO 2 POSITION INDICATORS
- "1" = DRIVES UP TO 4 POSITION INDICATORS

NOTE:

1. Derate 50% on VF display.
- *2. May need additional decoder card.