

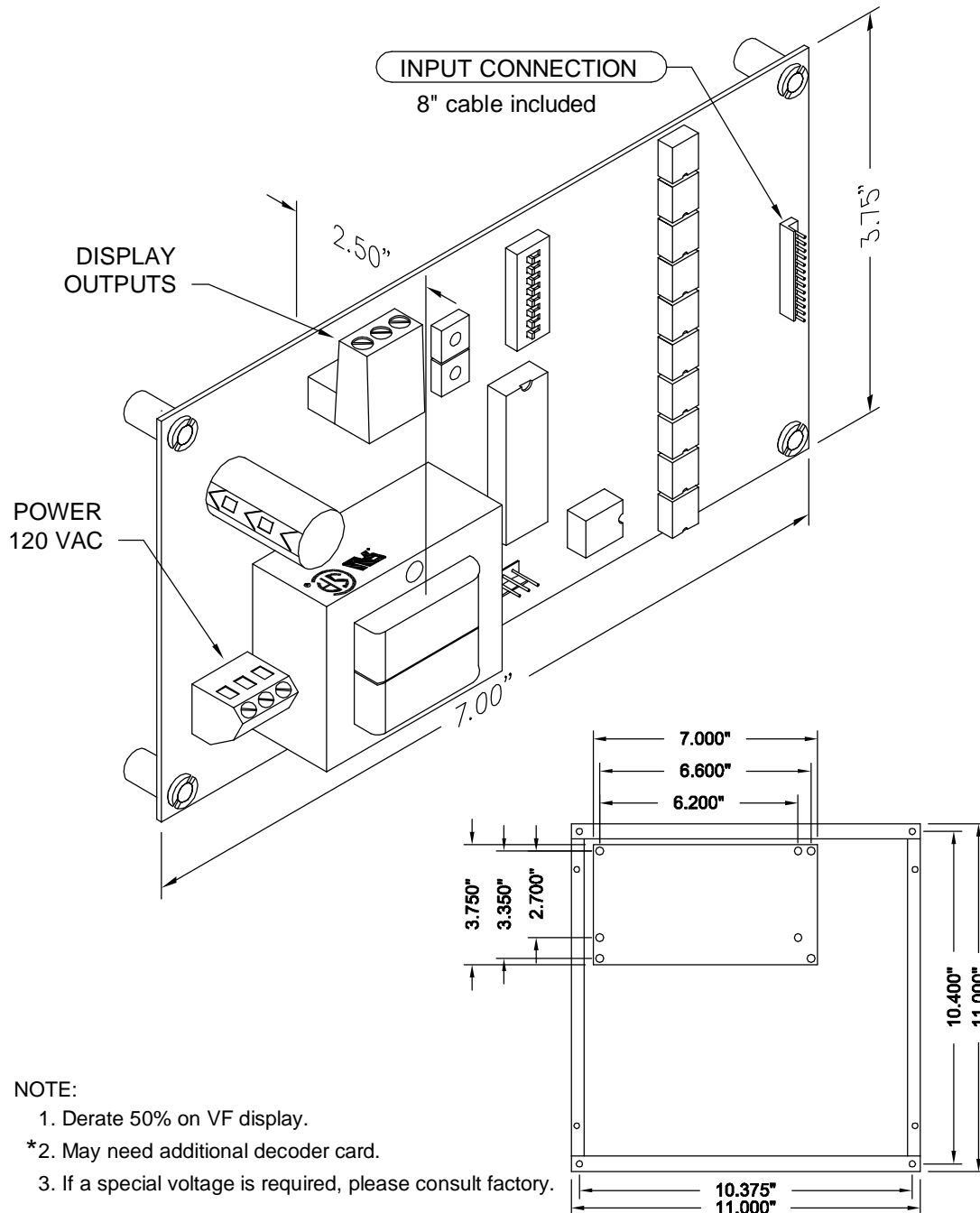


C.E. Electronics, Inc.  
 2107 Industrial Drive  
 Bryan, OH 43506  
 PH (419) 636-6705 FX (419) 636-2516  
 www.ceelectronics.com

# SMCDU-XXX

Ver. 2 Rel. 07/18/07

MICRO COMM<sup>®</sup>  
 DRIVERS



- NOTE:
1. Derate 50% on VF display.
  - \*2. May need additional decoder card.
  3. If a special voltage is required, please consult factory.

## CONTROL DRIVER BOARD

This unit was designed to be a compact display driver board. The board is capable of driving 4 displays remote from itself. Any Micro Comm series display can be utilized with this unit.

### Features:

- Latched inputs
- Cross wire protected
- Self testing
- Alternate message
- Passing chime output
- Remote display
- Self-contained
- Error detection and correction feature
- UL listed
- **Fullwave Bridge AC/DC inputs**
- 8 Inputs & Up/Down

### TO ORDER - SPECIFY SMCDU - X X X

#### SIGNAL VOLTAGE:

- "A" = POSITIVE 6-20VAC/DC, 24VAC
- "B" = POSITIVE 24-48VDC, 48VAC
- "C" = POSITIVE 120VAC
- "D" = POSITIVE 125VDC
- "E" = NEGATIVE 6-20VDC
- "F" = NEGATIVE 24-48VDC
- "G" = NEGATIVE 125VDC

#### BUILD:

- "B" = with BOX & COVER
- "X" = no BOX or COVER

#### SIGNAL FORMAT:

- "1" = SINGLE LINE/FLOOR \*
- "2" = BINARY
- "3" = UNITS & TENS \*
- "4" = GRAY CODE
- "5" = INVERTED BINARY
- "6" = SPECIAL